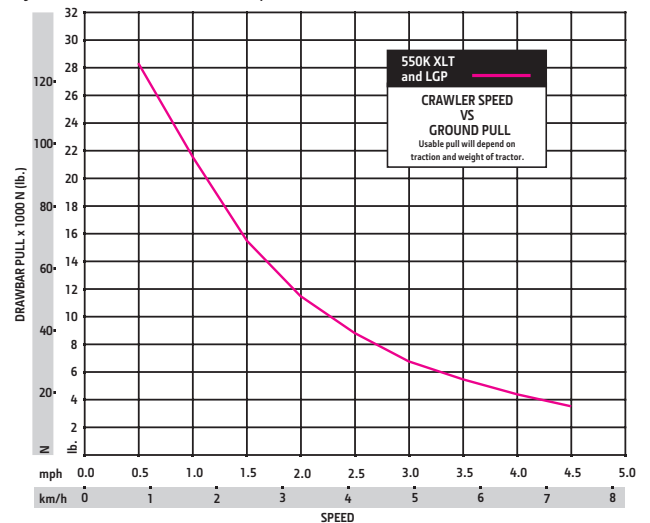


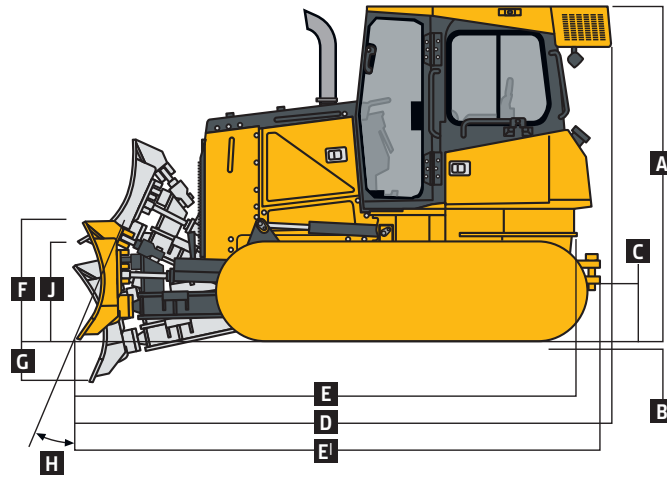
# 550K

<b>Engine</b>	<b>550K XLT / 550K LGP</b>
<b>Blade Type</b>	<b>Power Angle Tilt (PAT)</b>
Manufacturer and Model	John Deere PowerTech™ PWX 4045
Non-Road Emissions Standard	EPA Interim Tier 4/EU Stage IIIB
Displacement	4.5 L (276 cu. in.)
SAE Net Rated Power	69 kW (92 hp) at 2,200 rpm
Net Peak Torque	375 Nm (276 lb.-ft.) at 1,200 rpm
Aspiration	Turbocharged with charge air cooler
Air Cleaner	Vacuum-aspirated dual-element dry canister
<b>Cooling</b>	
Type	Variable-speed suction fan with optional reversing feature
Engine Coolant Rating	-37 deg. C (-34 deg. F)
Engine Radiator	10 fins per in.
<b>Powertrain</b>	
<b>Transmission</b>	Automatic, dual-path, hydrostatic drive; load-sensing feature automatically adjusts speed and power to match changing load conditions; each individually controlled track is powered by a variable-displacement piston pump and 2-speed motor combination; ground-speed-selection buttons on single-lever steering and direction control; independently selectable reverse-speed ratios of 100%, 115%, or 130% of forward ground speed; decelerator pedal controls ground speed to stop
System Relief Pressure	42 816 kPa (6,210 psi)
<b>Travel Speeds</b>	
Forward and Reverse	8.0 km/h (5.0 mph)
Maximum (optional)	9.7 km/h (6.0 mph)
<b>Steering</b>	Single-lever steering, speed, direction control, and counterrotation; full power turns and infinitely variable track speeds provide unlimited maneuverability and optimum control; hydrostatic steering eliminates steering clutches and brakes
<b>Final Drives</b>	Triple-reduction final drives mounted independently of track frames and dozer push frames for isolation from shock loads
Total Ratio	48.4 to 1
<b>Drawbar Pull</b>	
Maximum	134 kN (30,000 lb.)
At 1.9 km/h (1.2 mph)	80 kN (18,000 lb.)
At 3.2 km/h (2.0 mph)	49 kN (11,000 lb.)
<b>Brakes</b>	
Service	Hydrostatic (dynamic) braking stops the machine whenever direction-control lever is moved to neutral or the decelerator is depressed to the detent
Parking	Exclusive spring-applied, hydraulically released park brake feature engages wet, multiple-disc brakes automatically whenever the engine stops, the operator depresses the decelerator pedal to the brake position, the unit is in neutral for 3 seconds (with detected motion), or the park-lock lever is in the park position; machine cannot be driven with brake applied, minimizing wearout or need for adjustment
<b>Hydraulics</b>	
Type	Open-center hydraulic system with fixed-displacement gear pump
Pump Displacement	26 cc
System Relief Pressure	20 684 kPa (3,000 psi)
Maximum Flow at Unloaded High Idle	57 L/m (15 gpm)
Control	3-function direct-acting T-bar joystick

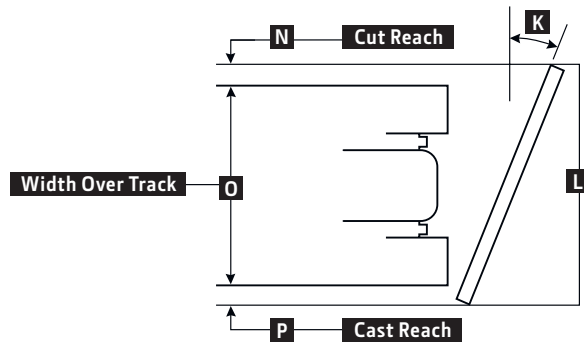
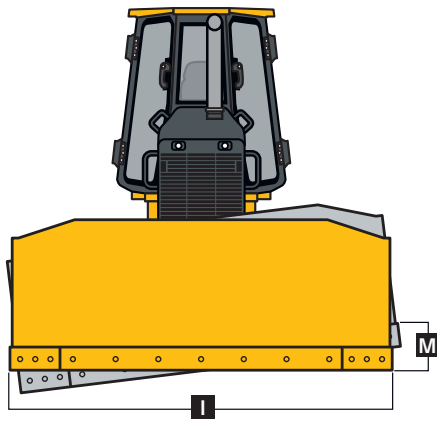




<b>Electrical</b>		<b>550K XLT / 550K LGP</b>	
Voltage	24 volts		
Battery Capacity	950 CCA		
Reserve Capacity	190 min.		
Alternator Rating			
Cab	100 amp		
Canopy	100 amp		
Lights	Grille mounted (2), rear mounted (2), and rear reflectors (2)		
<b>Undercarriage</b>		<b>550K XLT</b>	<b>550K LGP</b>
<b>Blade Type</b>	<b>PAT</b>		<b>PAT</b>
<b>Tracks</b>	John Deere Dura Trax™ features large deep-heat-treated, sealed, and lubricated track links and through-hardened, sealed, and lubricated rollers for maximum wear resistance		
Track Gauge	1549 mm (61 in.)	1753 mm (69 in.)	
Grouser Width	457 mm (18 in.)	610 mm (24 in.)	
Chain	Sealed and lubricated		Sealed and lubricated
Shoes, Each Side	42 standard; 39 Maximum Life		42 standard; 39 Maximum Life
Track Rollers, Each Side	7		7
Track Length on Ground	2337 mm (92 in.)		2337 mm (92 in.)
Ground Contact Area	21 479 cm <sup>2</sup> (3,329 sq. in.)		28 639 cm <sup>2</sup> (4,439 sq. in.)
Ground Pressure	39.9 kPa (5.79 psi) standard / 41.2 kPa (5.97 psi) Maximum Life		31.5 kPa (4.57 psi) standard / 32.3 kPa (4.69 psi) Maximum Life
Track Pitch	160 mm (6.3 in.) standard / 171 mm (6.7 in.) Maximum Life		160 mm (6.3 in.) standard / 171 mm (6.7 in.) Maximum Life
<b>Operator Station</b>		<b>550K XLT / 550K LGP</b>	
ROPS (ISO 3471 – 2008) and FOPS (ISO 3449 – 2005)			
<b>Serviceability</b>			
<b>Refill Capacities</b>			
Fuel Tank with Lockable Cap	237 L (62.5 gal.)		
Cooling System with Recovery Tank	22.6 L (6.0 gal.)		
Engine Oil with Filter	19 L (20 qt.)		
Transmission Reservoir with Filter	55.6 L (14.7 gal.)		
Hydraulic Reservoir and Filter	34 L (9.0 gal.)		
<b>Operating Weights</b>		<b>550K XLT</b>	<b>550K LGP</b>
<b>Blade Type</b>	<b>PAT</b>		<b>PAT</b>
<i>Base Weight (with standard equipment, rollover protective structure [ROPS], full fuel tank, and 79-kg [175 lb.] operator)</i>	8750 kg (19,290 lb.)		9195 kg (20,272 lb.)
<b>Optional Components</b>			
Cab with Pressurizer and Heater/Air Conditioner	306 kg (675 lb.)		306 kg (675 lb.)
Heater (ROPS canopy)	39 kg (85 lb.)		39 kg (85 lb.)
<b>Screens</b>			
Front and Door	81 kg (179 lb.)		81 kg (179 lb.)
Rear	34 kg (76 lb.)		34 kg (76 lb.)
Side	43 kg (94 lb.)		43 kg (94 lb.)
Limb Risers (ROPS canopy and cab)	104 kg (229 lb.)		104 kg (229 lb.)
<b>Counterweight</b>			
Front	109 kg (240 lb.)		109 kg (240 lb.)
Rear	150 kg (330 lb.)		150 kg (330 lb.)
Retrieval Hitch	23 kg (50 lb.)		23 kg (50 lb.)
Drawbar, Extended Rigid	33 kg (72 lb.)		33 kg (72 lb.)
Winch	652 kg (1,437 lb.)		652 kg (1,437 lb.)
Fairlead, 4 Roller	85 kg (187 lb.)		85 kg (187 lb.)
Center Chain Guides	40 kg (88 lb.)		40 kg (88 lb.)
Full-Length Rock Guards	128 kg (282 lb.)		128 kg (282 lb.)
Maximum Life Undercarriage	258 kg (569 lb.)		258 kg (569 lb.)
<b>Track Shoes</b>			
457 mm (18 in.)	In base		—
610 mm (24 in.)	—		In base

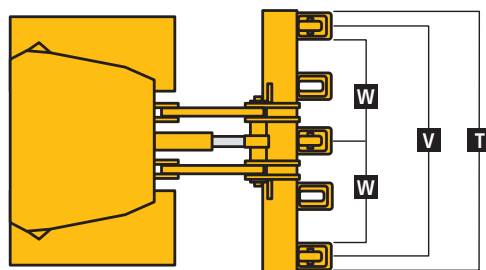
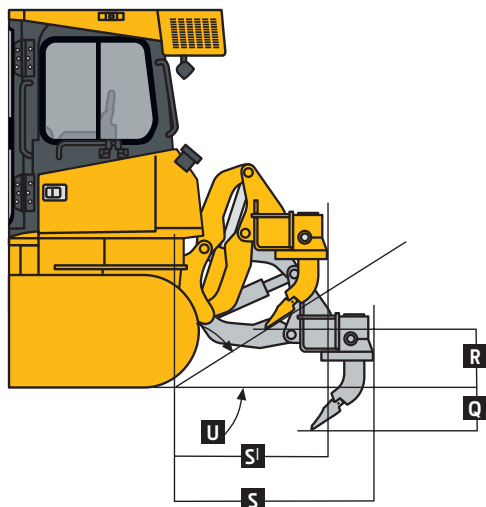
**Blade Type****PAT****PAT**

A Overall Height to Roof	2747 mm (9 ft. 0 in.)	2747 mm (9 ft. 0 in.)
B Tread Depth with Single-Bar Grouser	49 mm (1.9 in.)	49 mm (1.9 in.)
C Ground Clearance in Dirt	389 mm (15.3 in.)	389 mm (15.3 in.)
D Overall Length	4393 mm (14 ft. 4 in.)	4393 mm (14 ft. 4 in.)
E Length with Drawbar, Standard	4128 mm (13 ft. 7 in.)	4128 mm (13 ft. 7 in.)
E' Length with Drawbar, Extended	4221 mm (13 ft. 10 in.)	4221 mm (13 ft. 10 in.)
F Blade Lift Height	772 mm (30.4 in.)	772 mm (30.4 in.)
G Blade Digging Depth	523 mm (20.6 in.)	523 mm (20.6 in.)
H Blade Cutting-Edge Angle, Adjustable	52 to 60 deg.	52 to 60 deg.

**Straight**

I Blade Width	2667 mm (105 in.)	2921 mm (115 in.)
J Blade Height	955 mm (3 ft. 2 in.)	955 mm (3 ft. 2 in.)
SAE Capacity	1.8 m <sup>3</sup> (2.4 cu. yd.)	2.0 m <sup>3</sup> (2.6 cu. yd.)
Weight	603 kg (1,330 lb.)	628 kg (1,385 lb.)
C-Frame Assembly Weight (without blade)	399 kg (879 lb.)	399 kg (879 lb.)
K Blade Angle	22.2 deg.	22.2 deg.
L Overall Width with Blade Angled	2469 mm (8 ft. 1 in.)	2705 mm (8 ft. 11 in.)
M Blade Tilt (uses tilt jack)	363 mm (14.3 in.)	399 mm (15.7 in.)
N Cut Reach	117 mm (4.6 in.)	56 mm (2.2 in.)
O Width Over Track	2007 mm (6 ft. 7 in.)	2362 mm (7 ft. 9 in.)
P Cast Reach	345 mm (18.3 in.)	287 mm (11 in.)

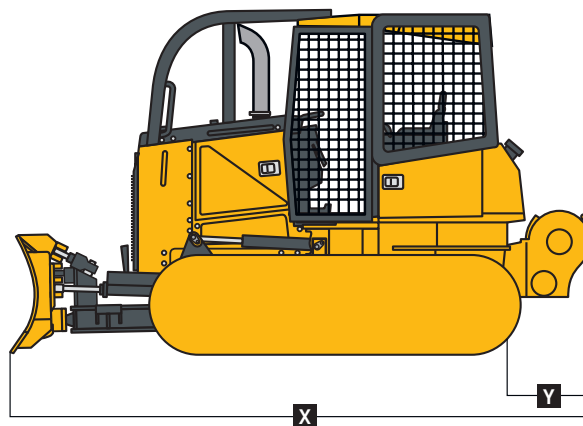
Machine Dimensions (continued)	550K XLT	550K LGP
<b>Blade Type</b>	<b>PAT</b>	<b>PAT</b>
<b>Straight (option)</b>		
I Blade Width	2921 mm (115 in.)	3150 mm (124 in.)
J Blade Height	955 mm (3 ft. 2 in.)	894 mm (35 in.)
SAE Capacity	2.0 m <sup>3</sup> (2.6 cu. yd.)	1.9 m <sup>3</sup> (2.5 cu. yd.)
Weight	628 kg (1,385 lb.)	631 kg (1,391 lb.)
C-Frame Assembly Weight (without blade)	399 kg (879 lb.)	399 kg (879 lb.)
K Blade Angle	22.2 deg.	22.2 deg.
L Overall Width with Blade Angled	2705 mm (8 ft. 11 in.)	2916 mm (9 ft. 7 in.)
M Blade Tilt (uses tilt jack)	399 mm (15.7 in.)	429 mm (16.9 in.)
N Cut Reach	234 mm (9.2 in.)	163 mm (6.4 in.)
O Width Over Track	2007 mm (6 ft. 7 in.)	2464 mm (8 ft. 1 in.)
P Cast Reach	465 mm (18.3 in.)	391 mm (15.4 in.)
<b>Rear Ripper</b>		
	<b>550K XLT / 550K LGP</b>	



Heavy-duty parallelogram ripper, 5 shank pockets with 3 teeth

Weight	981 kg (2,163 lb.)
Q Maximum Penetration	508 mm (20 in.)
R Maximum Clearance Under Tip	508 mm (20 in.)
S Overall Length, Lowered Position	1450 mm (57 in.)
S' Overall Length, Raised Position	1015 mm (40 in.)
T Overall Beam Width	1830 mm (6 ft. 0 in.)
U Slope Angle (full raise)	40 deg.
V Ripping Width	1670 mm (5 ft. 6 in.)
W Distance Between Shanks	806 mm (32 in.)

#### 4000S Winch



X Overall Length with Winch	4807 mm (15 ft. 9 in.)
Y Winch Length	660 mm (26 in.)